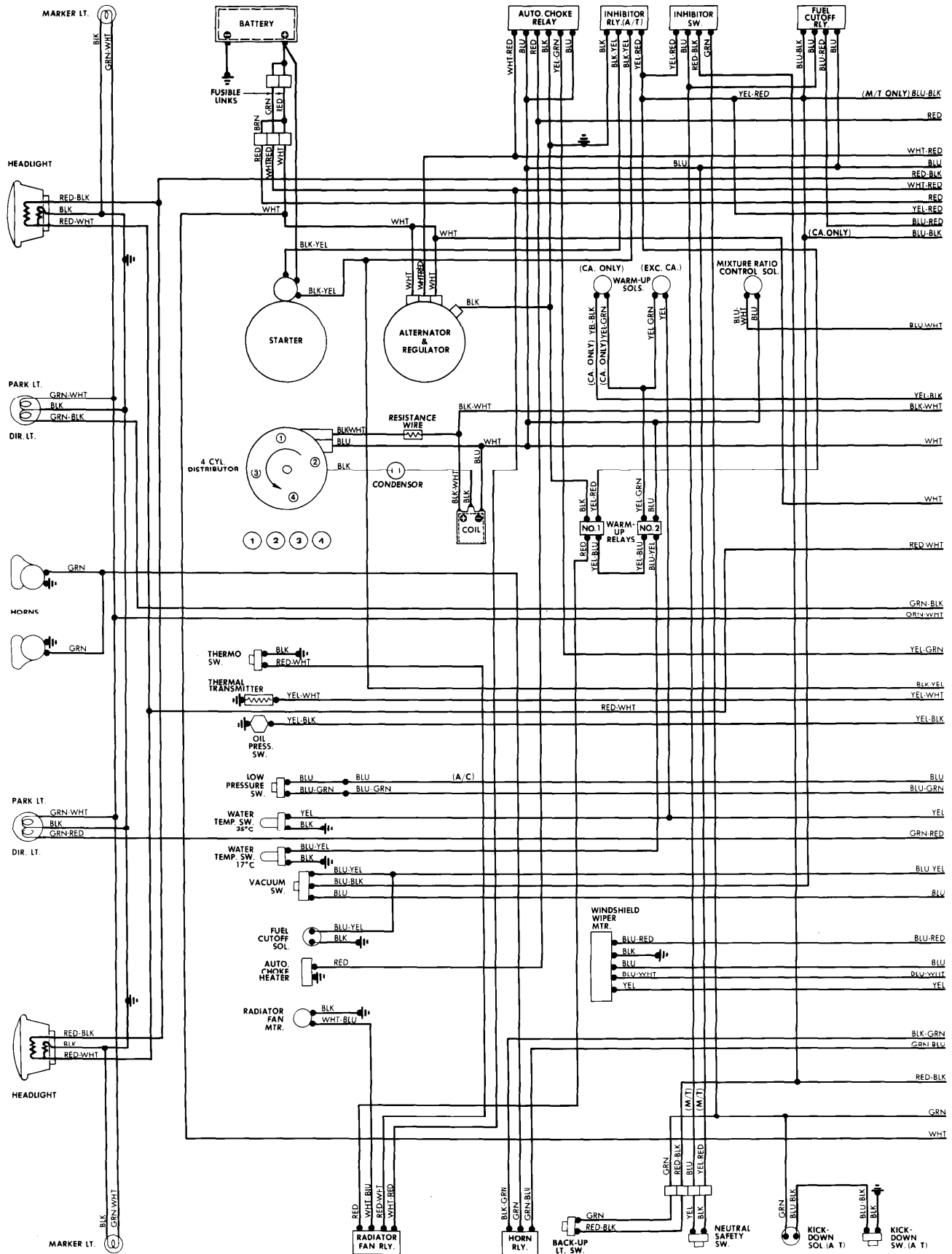
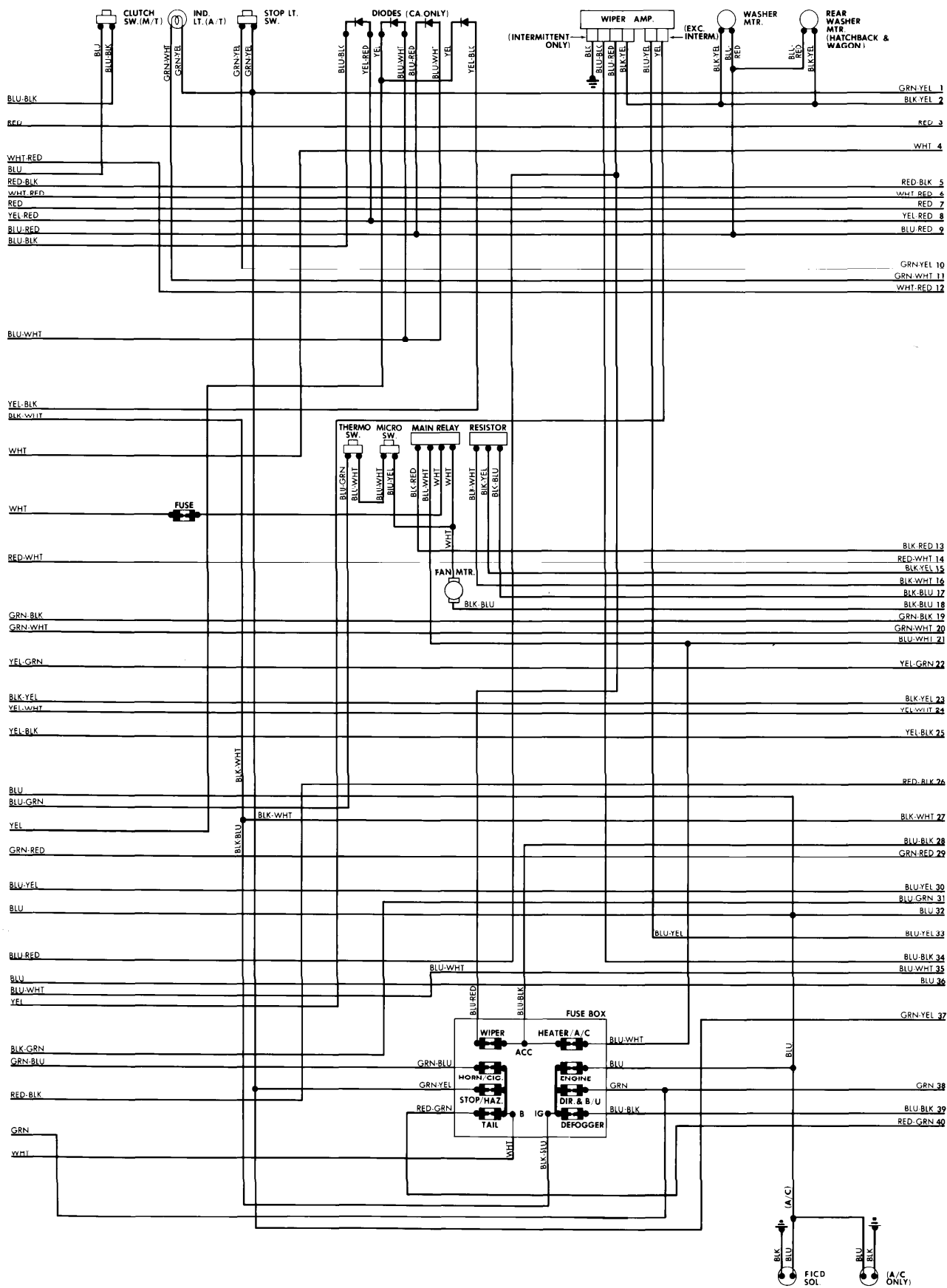


## ENGINE COMPARTMENT

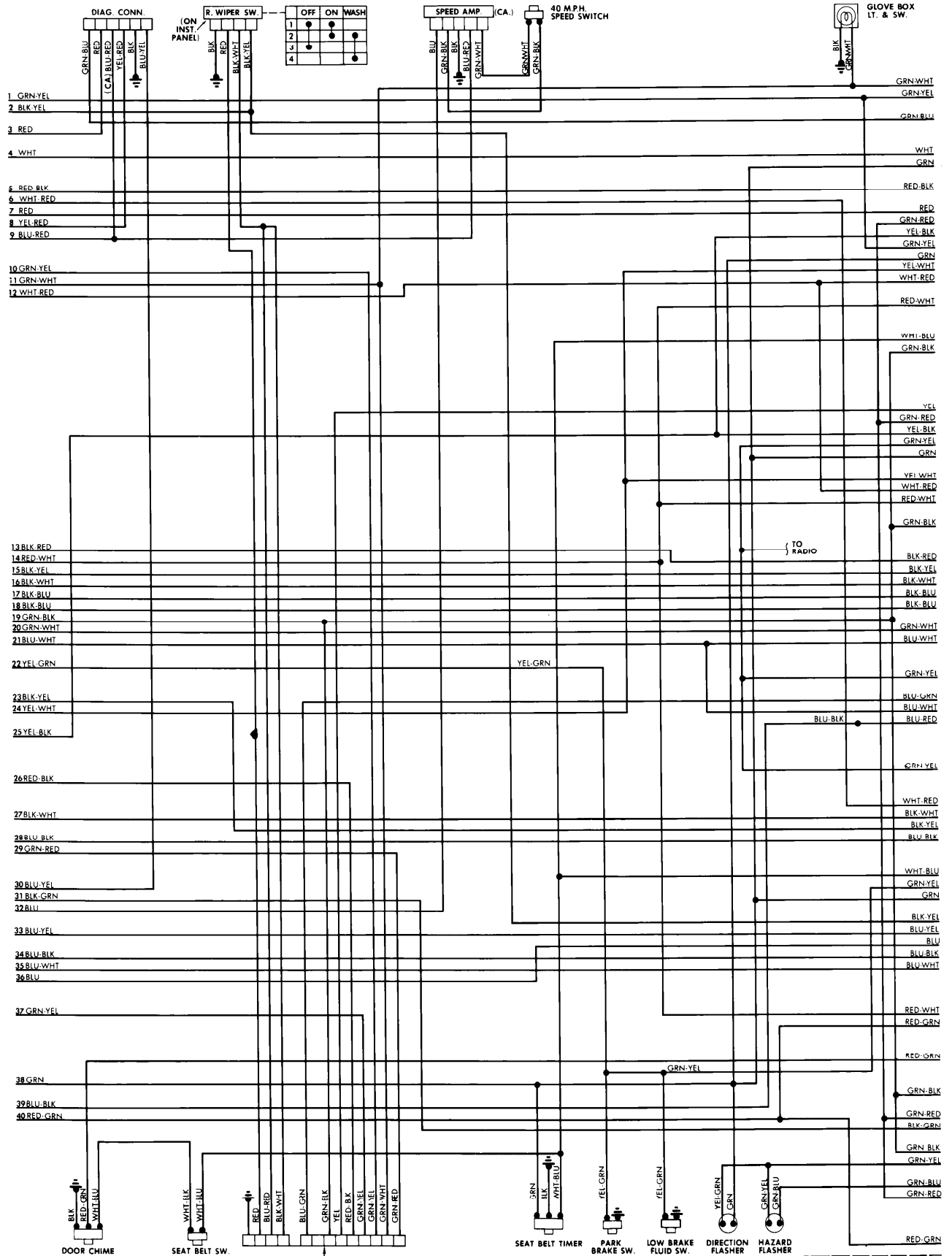


ENGINE COMPARTMENT & FUSE BLOCK

WIRING DIAGRAMS



## UNDERDASH



## INSTRUMENT PANEL & REAR COMPARTMENT

WIRING DIAGRAMS

